



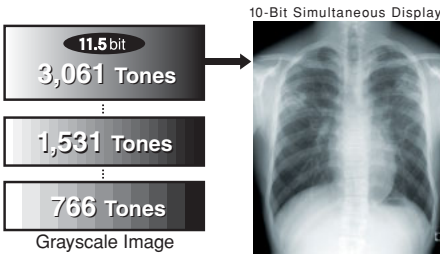
RadiForce® G22

19.6" CLASS MONOCHROME LCD MONITOR

2 megapixel (1200 x 1600) resolution and 10-bit (1,024 tones) simultaneous grayscale display for accurate diagnosis in CT, DSA, and MRI.

10-BIT GRAYSCALE DISPLAY

The G22 produces 1,024 (10-bit) simultaneous grayscale tones from a palette of 3,061. EIZO also offers a choice of graphics boards with simultaneous 10-bit output and a DVI-D port for an all-digital connection.

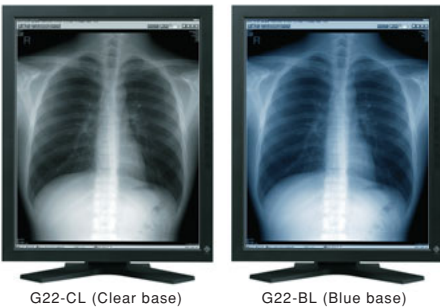


CALIBRATION SUPPORT AND QC MANAGEMENT

The G22 offers long-term image quality and consistency through EIZO's optional RadiCS GX2 calibration kit. RadiCS GX2 features include acceptance testing, calibration to the DICOM Part 14 standard, detailed calibration history reports, test pattern checks, and automated scheduling of pattern, luminance, grayscale, and uniformity checks. It also offers manufacturer-independent asset management of the PC, graphics boards, and monitors.

CLEAR BASE AND BLUE BASE

The G22 is available in clear base and blue base options.



ADVANCED LCD PANEL

The G22 utilizes the latest in LCD technology with a new Super-IPS panel that offers 170° viewing angles and minimal changes in contrast when viewed from off-center. The 800 cd/m² brightness and 600:1 contrast ratio ensure comfortable viewing in both ambient light environments and dark reading rooms.



RadiForce® G22

19.6" CLASS MONOCHROME LCD MONITOR

BRIGHTNESS STABILIZATION

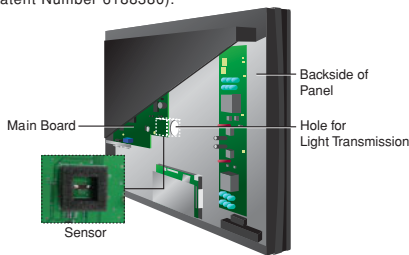
● Drift Correction Circuit

Quickly stabilizes the brightness level after startup or coming out of power save mode.

● Auto Brightness Control

The monitor detects and automatically compensates for brightness changes caused by surrounding temperatures and the passage of time for stable brightness and longer service life.

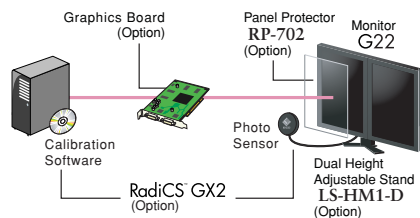
*This brightness stabilization function is EIZO patented technology (Japan Patent Numbers 3171808 and 3193315; US Patent Number 6188380).



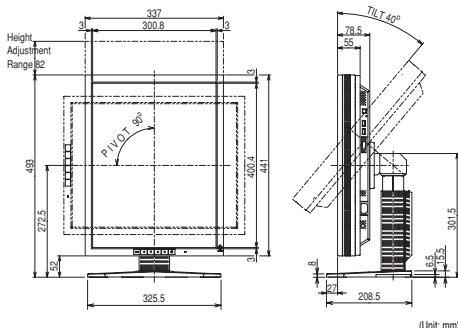
SLIM BEZEL DESIGN

Narrow bezels along all four sides save space and require less eye movement in a multi-panel environment. Other features include an 82 mm height adjustable stand, 40° tilt, 70° swivel, and 90° portrait orientation.

System Configuration



Dimensions



Specifications

Panel Size and Type	50 cm (19.6") TFT monochrome LCD panel
Cabinet Color	Black
Pixel Pitch	0.249 x 0.249 mm
Grayscale Tones	1,024 grayscale tones from a palette of 3,061
Viewing Angles (H, V)	170°, 170°
Scanning	75 kHz, 60 Hz
Frequency (H, V)	
Native Resolutions	1200 x 1600
Brightness	800 cd/m ²
Contrast Ratio	850:1
Dot Clock	162 MHz
Response Time	50 ms (typical)
Input Signal	DVI Standard 1.0
Input Terminal	DVI-D 24 pin
USB Ports / Standard	1 upstream, 2 downstream / Rev. 2.0
Active Display Size (H x V)	398 x 299 mm
Viewable Image Size	498 mm (diagonal)
Power Management	DVI DMPM
Power Consumption	70 watts
Power Save Mode	Less than 6 watts
Height Adjustment Range	82 mm
Dimensions (W x H x D)	With Stand: 337 x 493 – 575 x 208.5 mm Without Stand: 337 x 441 x 78.5 mm
Net Weight	With Stand: 9.1 kg, Without Stand: 5.9 kg
Tilt / Swivel	40° Up, 0° Down / 35° Right, 35° Left
Certifications & Standards	TÜV/GM (EN60601-1), CE Medical Device Directive, CB (IEC60601-1), cTÜVus (UL2601-1, CSA C22.2 No. 601-0), FCC-A, Canadian ICE-003-A, VCCI-A, EIZO Eco Products 2002
Supplied	AC power cord, signal cable (DVI-D – DVI-D), USB cable, warranty registration card

Accessories

GRAPHICS BOARDS

MED2mp-PPP 10-bit

Graphics Board Specifications

Bus Interface	32 bit (33 MHz) / 64 bit (66 MHz)
Output Terminals	DVI-I x 2
Display Resolutions (portrait mode) ¹	up to 1200 x 1600 (single head) up to 2400 x 1600 (dual head)
Maximum Power	40 watts
Consumption	
System Requirements / (Operating Environment)	
Compatible	Microsoft Windows 2000/XP
Operating Systems	
Host Processor	600 MHz or greater
Frequency	
Main Memory	128 MB or greater

VREngine/SMD2-PCI 10-bit VREngine/SMD2-AGP 10-bit

Graphics Board Specifications

Bus Interface	PCI 32 bit (33 MHz / 66 MHz) AGP AGP4x
Output Terminals	DVI-D x 2
Display Resolutions (portrait mode) ¹	up to 1200 x 1600 (single head) up to 2400 x 1600 (dual head)
Maximum Power	23 watts
Consumption	
System Requirements / (Operating Environment)	
Compatible	Microsoft Windows 2000/XP
Operating Systems	
Host Processor	500 MHz or greater
Frequency	
Main Memory	256 MB or greater

¹ Landscape mode also supported.

PANEL PROTECTOR

RP-702

Protects panel from dust and scratches.

DUAL HEIGHT ADJUSTABLE STAND

LS-HM1-D

Holds two monitors, offers a height adjustment range of 75 mm in 6 stages, and supports portrait and landscape orientation.

CALIBRATION KIT

RadiCS GX2

Consists of photo sensor and calibration software for various QC management tasks.

Specifications are subject to change without notice.

All product names are trademarks or registered trademarks of their respective companies. Screen Administrator is a trademark, and EIZO and RadiForce are registered trademarks of Eizo Nanao Corporation.

Published on chlorine-free paper.

Copyright © 2004 Eizo Nanao Corporation. All rights reserved.
(040220a) Printed in Japan, 2, 2004, 1K

EIZO NANAO CORPORATION

153 Shimokashiwano, Matto, Ishikawa 924-8566 Japan

Phone +81-76-277-6792 Fax: +81-76-277-6793

radiforce.com

